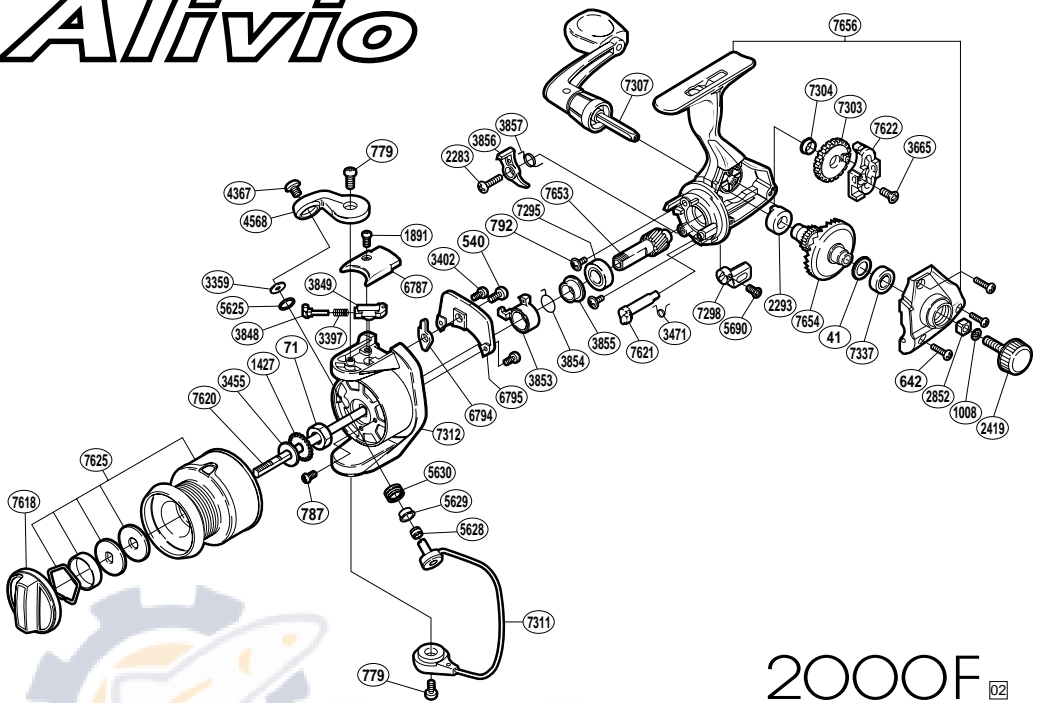


Alivio



2000F 

ReelSchematic

RD No.	PARTS NAMES	RD No.	PARTS NAMES	RD No.	PARTS NAMES
0041	Drive Gear Washer	3471	Anti-Reverse Cam Spring	6795	Counterbalance Cover
0071	Rotor Nut	3665	Slider Retainer Screw	7295	Ball Bearing
0540	Bail Trip Lever Screw	3848	Bail Spring Guide (A)	7298	Anti-Reverse Lever
0642	Side Cover Screw	3849	Bail Spring Guide (B)	7303	Oscillating Gear
0779	Multi-Purpose Screw	3853	Anti-Reverse Lock Out	7304	Oscillating Gear Bushing
0787	Nut Lock Screw	3854	Anti-Reverse Lock Out Spring	7307	Handle Assembly
0792	Bearing Retainer Screw	3855	Lock Out Spring Holder	7311	Bail Assembly
1008	Handle Lock Washer	3856	Anti-Reverse Pawl	7312	Rotor
1427	Spool Support	3857	Anti-Reverse Pawl Spring	7337	Ball Bearing
1891	Bail Spring Cover Screw	4367	Line Roller Screw	7618	Drag Knob Assembly
2283	Anti-Reverse Pawl Screw	4568	Bail Arm	7620	Main Shaft
2293	Drive Gear Bushing	5625	Line Roller Spacer	7621	Anti-Reverse Cam
2419	Handle Screw Cap	5628	Line Roller Collar	7622	Oscillating Slider
2852	Handle Screw Lock	5629	Line Roller Bushing	7625	Spool Assembly
3359	Line Roller Washer	5630	Line Roller	7653	Pinion Gear
3397	Bail Spring	5690	Anti-Reverse Lever Screw	7654	Drive Gear
3402	Cover Screw	6787	Bail Spring Cover	7656	Body Assembly
3455	Spool Washer	6794	Bail Trip Lever		